

TW5387



TW5387 Smart GNSS UDR Antenna for High Accuracy Rover Positioning

Overview

The TW5387 is a multi-band (L1/L5), multi-constellation integrated GNSS receiver/antenna with Inertial Measurement Unit (IMU) (for Untethered Dead Reckoning) and RTK for Precise Point Positioning. The TW5387 is capable of providing sub 1 meter accuracy stand alone, and 1 cm accuracy with with RTK corrections. Combined with the IMU to achieve Sensor Fusion, TW5387 supports the most demanding positioning applications in the most challenging environments such as a dense urban canyon.

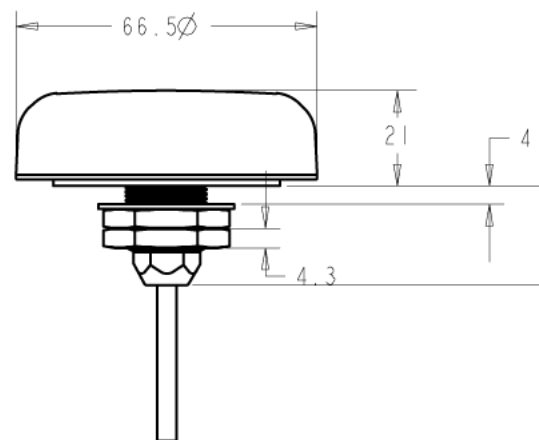
Interference Resilience

The TW5387 incorporates a latest generation multi-band (L1/L5) GNSS receiver and IMU with a Tallysman Accutenna® multi-band (L1/L5) dual feed patch. The state of the art GNSS receiver supports concurrent tracking of three major constellations (GPS, BeiDou, and Galileo) in multiple frequency bands. The multi-band (L1/L5) architecture is highly effective method for the removal of ionospheric error. The TW5387 employs multi-stage filtering with low noise figure LNAs, combined with the dual feed Accutenna®, which greatly improves the rejection of multi-path signal interference. The IMU Sensor Fusion with GNSS data and optionally speed data further mitigates effects of severe multi-path reflections and provides continuous position availability during periods of GNSS signal obstruction offering exceptional performance to meet the most challenging precise positioning applications.

Real Time Kinematic Positioning

The TW5387 offers support Real-Time Kinematic base/rover corrections allowing performance optimization to sub 1 cm. The concurrent multi-band (L1/L5) access to three satellite constellations improves the receiver's convergence capability to deliver a quick, precise and reliable position solution which is unaffected by ionospheric errors, and improved resilience to jamming.

The TW5387 accepts RTK RTCM messages from a base station to act as a rover in RTK mode, and includes IMU. The TW5387 provides sub 1 cm positioning accuracy in conjunction with applied RTK corrections.



Mechanical Dimensions (mm)

Features

- Improved noise immunity with multi-band ST TESEO V GNSS receiver chipset (Quectel)
- On-board Inertial Measurement Unit (UDR and ADR - wheelticks) provides continuous availability during periods of signal loss
- Improved multi-path rejection with Dual feed L1/L5 Accutenna®
- Multi-band GNSS receiver is resilient to ionospheric errors
- High reliability timing with expansive constellation array
- Exceptional position performance standalone without correction services
- Broad 5V-36V operation
- RS-422 differential (or RS-232) signalling
- Industrial grade IP69K enclosure
- Rugged fixed mount
- Multiple cable lengths (5m, 15m and 25m)
- Available with conical radome

TW5387 Smart GNSS Antenna

Specifications

Antenna

Architecture	Multi-band (L1/L5), Dual Feed
Axial Ratio	L1: < 1 dB typical.
Frequencies	GPS L1C/A L5, GAL E1 E5a, BDS B1I B2a, QZSS L1C/A L5
SBAS L1 C/A	WAAS, EGNOS, MSAS, GAGAN, AGNSS

Interface

Pwr, Gnd	
33-5387-07-yy-zz	Data, Timepulse: RS-422 levels
33-5387-27-yy-zz	Data: RS-232; Timepulse: RS-422

Serial Protocol

Output	NMEA 0183, RTCM v3.3,
Control	NMEA, Binary
Baud Rate	Configurable
Update Rate	10 Hz,

Mechanical

Dimensions	66.5 mm dia. x 21 mm H
Weight	135 g
Mounting Method	Industrial grade fixed Mount
Cable Length	5, 15, 25m with RJ45 termination

Electrical

Voltages	5 V to 36 VDC
Current	<1.5 Watts (nominal operating) Measured @ 5VDC supply

Environmental

Operating Temperature	-40°C to +85°C
Storage Temperature	-40°C to +85°C
Weatherproof	IP69K
Shock	Vertical axis 50G, other axis 30G 3 axis sweep – 15 min
Vibration	10-200 Hz log sweep 3G

Sensitivity

Acquisition	-145 dBm
Reacquisition	-158 dBm
Tracking	-160 dBm

Acquisition Time To First Fix @ -130 dBm (Autonomous without AGNSS)

Cold start	33 sec
Warm start	< 32 sec
Hot start	<1.5 sec

Dynamic Performance

Maximum altitude	18000m
Maximum velocity	515 m/s
Acceleration	4.0 g

Horizontal Position Accuracy (4 Constellations)

Standard PVT	1.0 m CEP
Corrected RTK	0.01m + 1ppm CEP
RTK Convergence	10 sec*

Timing

Timing Accuracy	100 ns RMS
-----------------	------------

Ordering Information:

33-5387-07-yy-zz-PC0	(RJ45; Data and Timepulse: RS-422, PC0 = NMEA out, no adaptor cable.)
33-5387-27-yy-zz-PC0	(RJ45; Data: RS-232, Timepulse RS-422, PC0 = NMEA out, no adaptor cable.)

yy = Radome (00=grey conical, 10=grey low profile, 01=white conical, 11=white low profile)
zz = Cable length in meters. Standard is 5m. (15m and 25m are special order only)

33-5387-07-yy-zz-PC0 SDK Test Adaptor required for programming	33-0095-10
33-5387-27-yy-zz-PC0 SDK Test Adaptor required for programming	33-0095-13

About Calian GNSS: With global headquarters and manufacturing in Ottawa, Canada, Calian GNSS is a leading manufacturer of high-precision antennas and components for Global Navigation Satellite System (GNSS) applications. Calian GNSS' mission is to support the needs of a new generation of positioning systems by delivering unprecedented antenna precision at competitive prices. Learn more at www.calian.com/GNSS

Contact us:
info.gnss@calian.com
T: +1 613 591-3131

© 2024 Calian GNSS Ltd. All rights reserved. Calian, the "Confidence. Engineered." tag line and the Calian logo are trademarks or registered trademarks of Calian GNSS Ltd. and/or its affiliates in Canada and certain other countries. All other trademarks mentioned in this document are the property of their respective owners. This document contains Calian proprietary information. Use, disclosure, copying or distribution of information requires the written permission of Calian GNSS Ltd. The information presented is subject to change without notice. Calian assumes no responsibility for any errors or omissions in this document. Calian GNSS Ltd. hereby disclaims any and all warranties and liabilities of any kind.

Calian GNSS Ltd.
36 Steacie Drive,
Ottawa ON
K2K 2A9 Canada

www.calian.com/GNSS